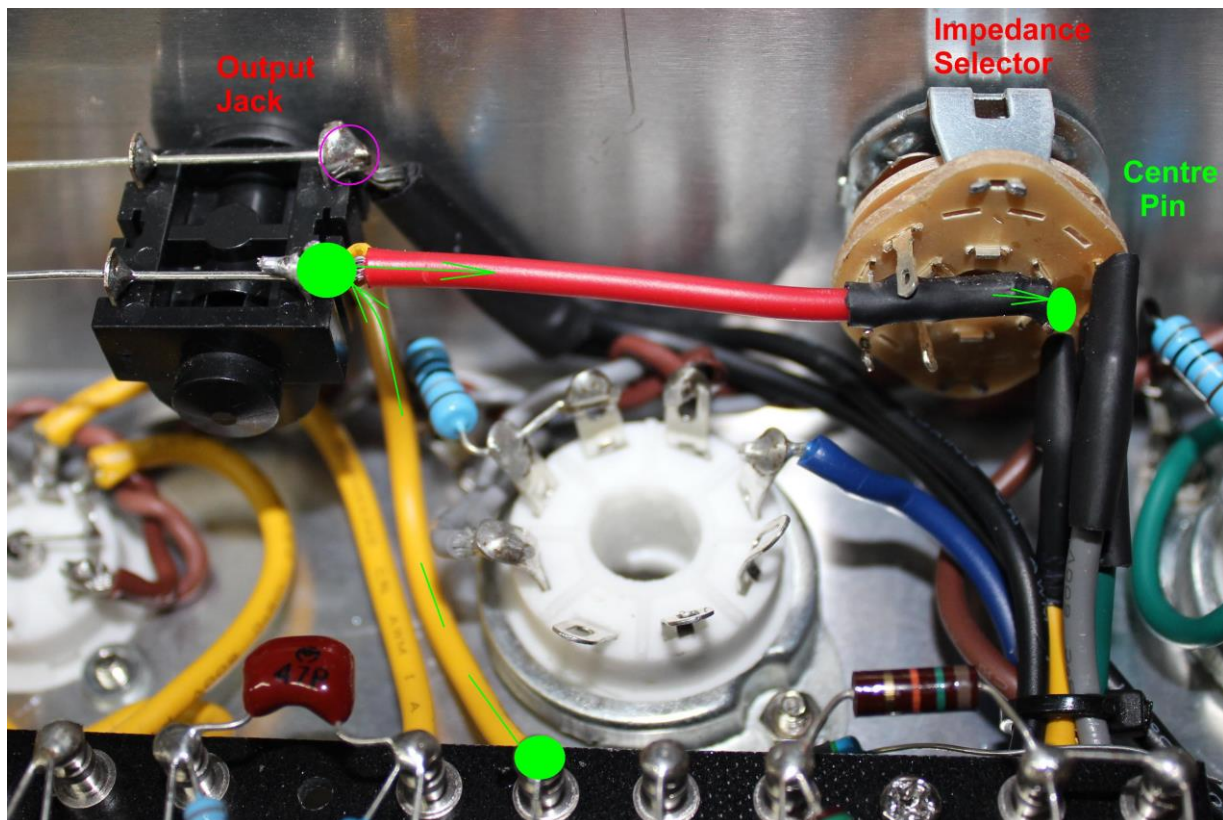
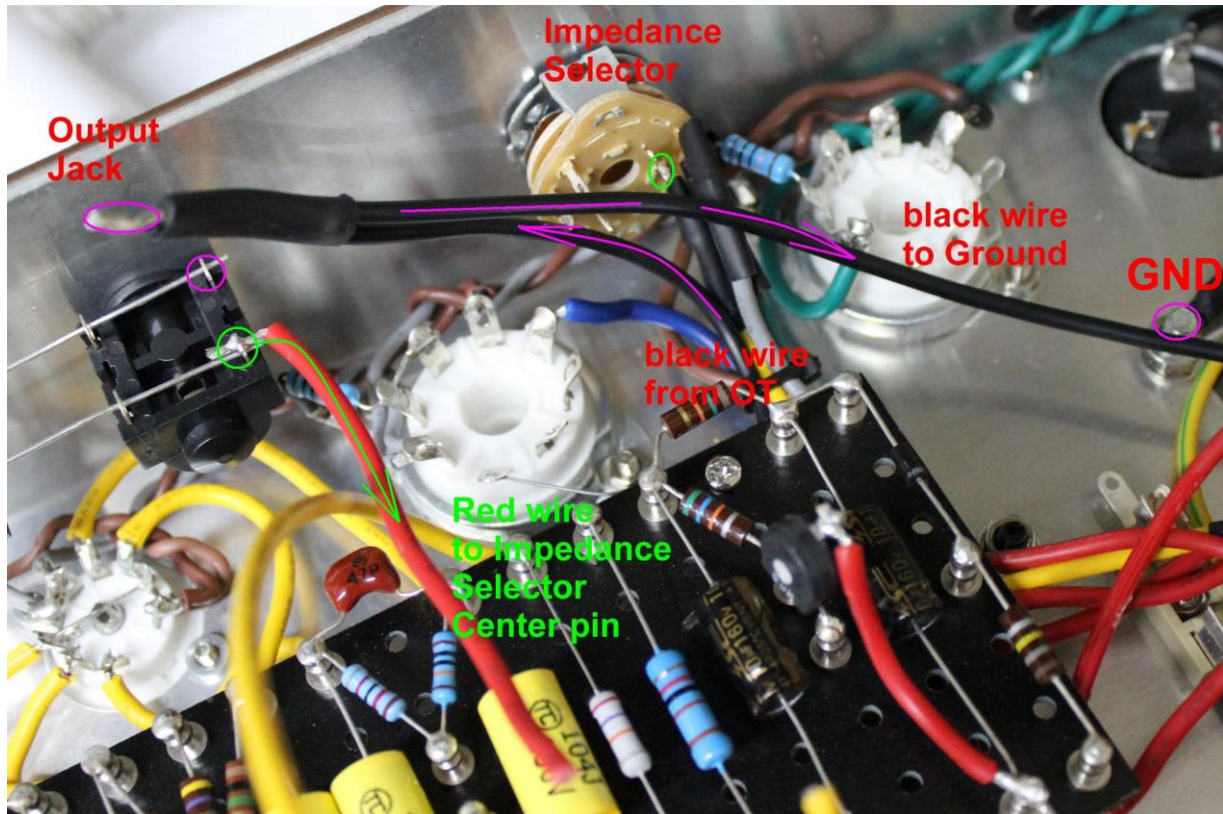


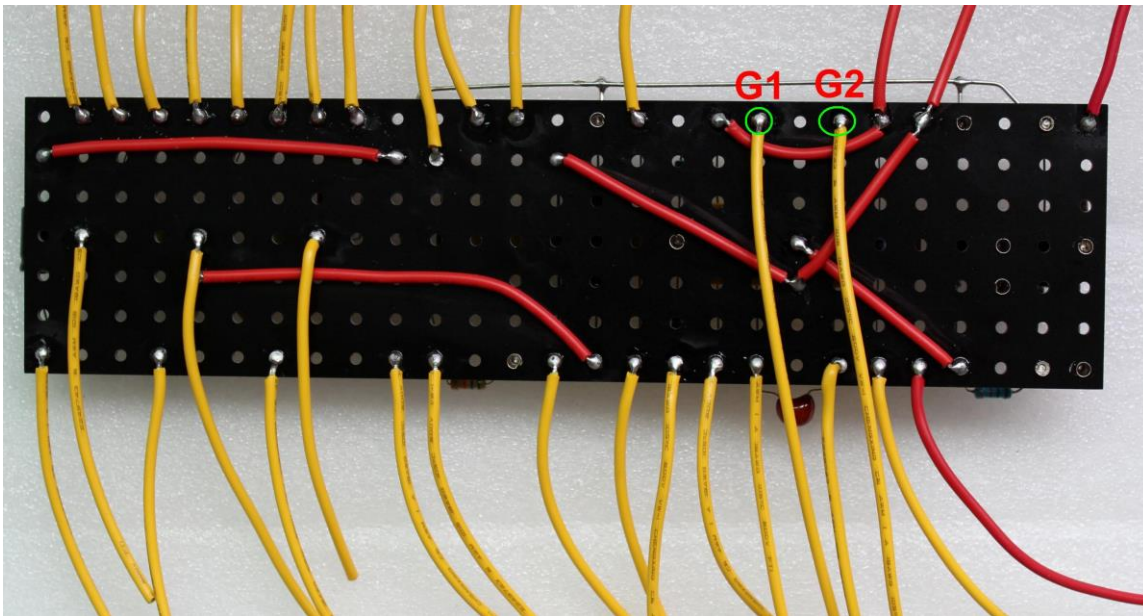
16. Output jack wiring2:



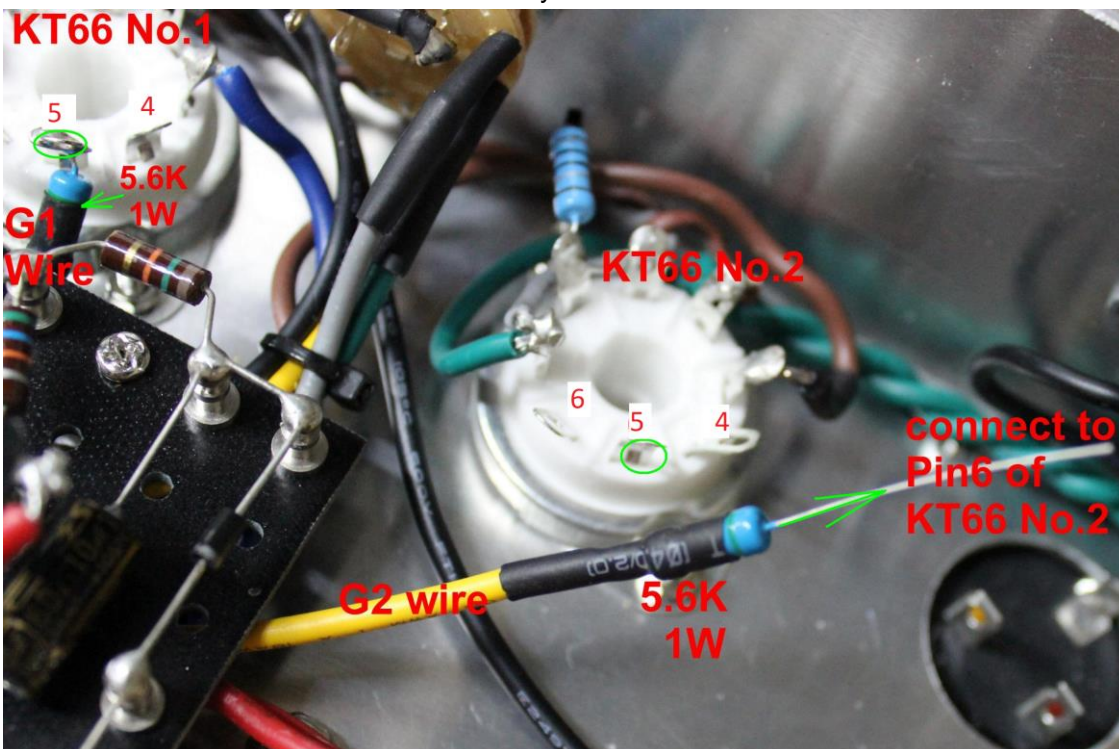
17. Connect a 5.6K/1W resistor to the end of the yellow wire from Point G1 on the Turret board, and solder it to Pin6 of KT66 No.1; Connect a 5.6K/1W resistor to the end of the yellow wire from Point G2 on the Turret board, and solder it to Pin6 of KT66 No.2;

See G1 and G2 on the turret board as below:



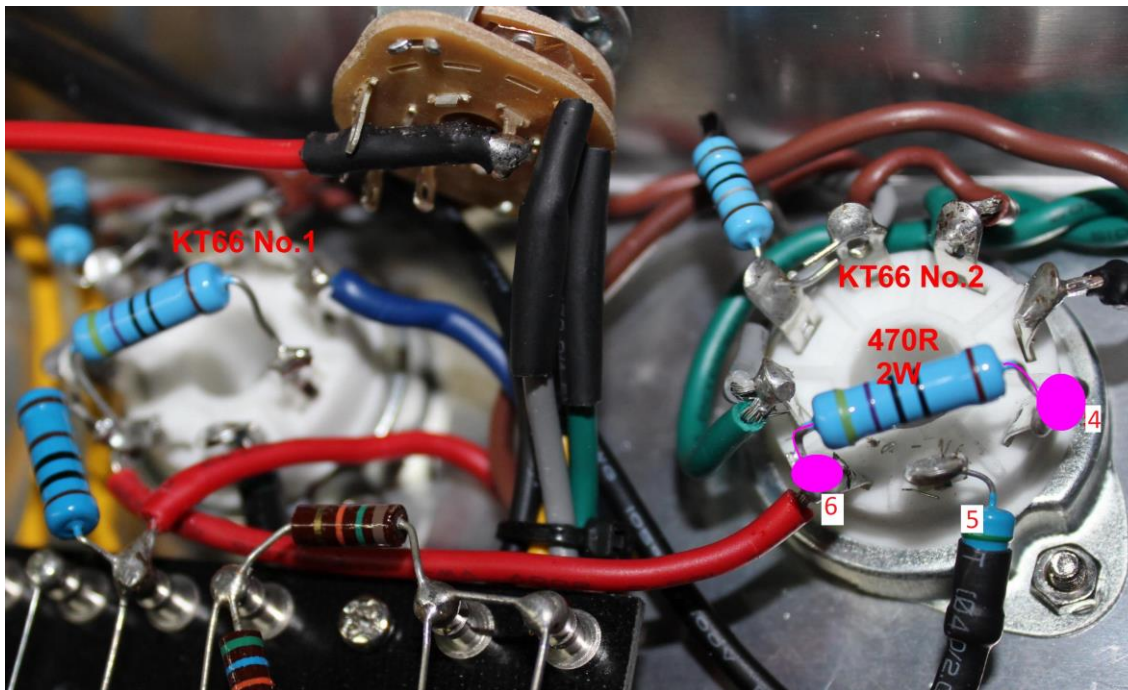
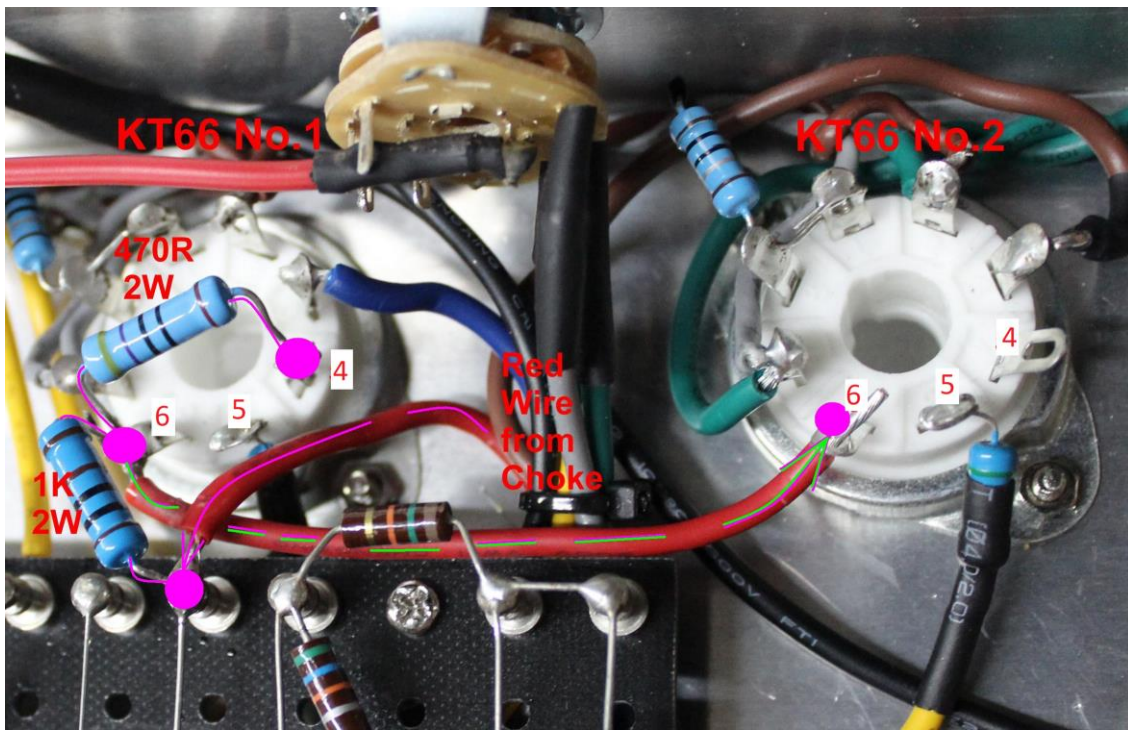


Solder a 5.6K/1W resistor to the end of G1 yellow wire and solder a 5.6K/1W resistor the end of G2 yellow wire as follow:



18. KT66 wire:





19. Solder Red wire from Point C to 16uF capacitor; (See point C below)
- Solder the other end of black wire from the Output jack to a grounding lug and lock it onto the grounding screw;

